

SCOOBY-DOO!

AND THE
CURSE OF THE 13TH GHOST

OWN IT ON
DVD & DIGITAL
FEBRUARY 5th
#Scooby13Ghosts

Scooby-Doo! Shadow Play

Here is a fun Scooby-Doo activity you can do with your kids at home.

Bring your shadow play to life by following the instructions on page 2.

Then take a photo of your masterpiece and tag it using #Scooby13Ghosts.

There is a chance you could be featured on the official @ScoobyDoo Instagram account!



SCOOBY-DOO!

AND THE
CURSE OF THE 13TH GHOST

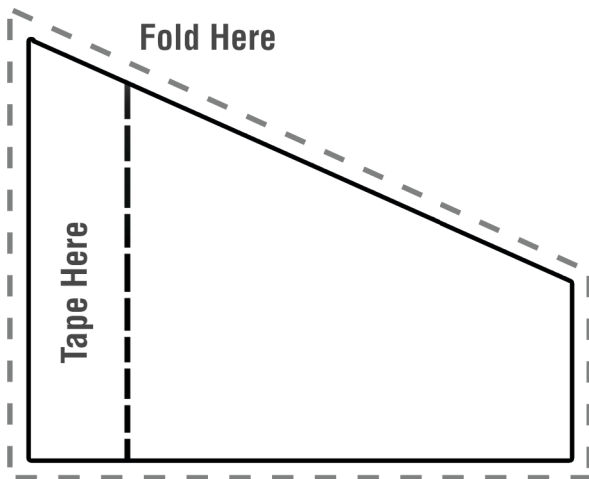
OWN IT ON
DVD & DIGITAL
FEBRUARY 5th
#Scooby13Ghosts

Supply List

- Crayons, Markers or Colored Pencils
- Empty Tissue Box or Cereal Box
- Scissors
- Glue or Tape
- Flashlight

Instructions and Tips

1. Download and print the activity sheets.
2. Color and decorate the characters.
3. Cut out your characters ***ALWAYS ASK AN ADULT FOR HELP WHEN USING SCISSORS.**
4. Using an empty cereal box or tissue box, trace the provided character stand template to the cardboard, cut out and fold where denoted.



Character Stand Template



Reference: Stand affixed to back of character

5. Affix each cardboard stand to the back of each of the characters with glue or tape.
6. Arrange characters, then turn down the lights and using a flashlight, create a spooky shadow play scene!

***SAFETY TIP: ASK AN ADULT
FOR HELP USING SCISSORS**



SCOOBY-DOO!

AND THE
CURSE OF THE 13TH GHOST

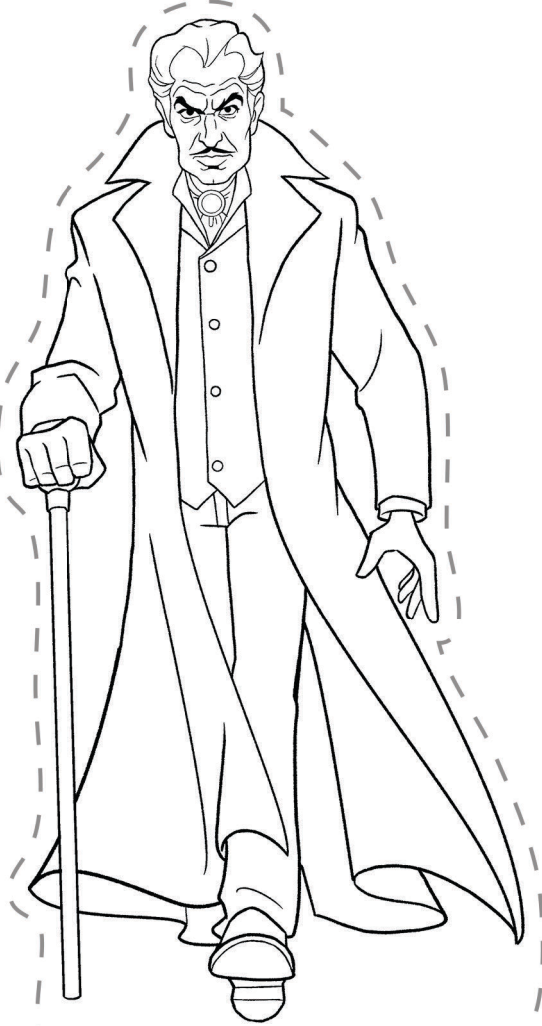
OWN IT ON
DVD & DIGITAL
FEBRUARY 5th
#Scooby13Ghosts



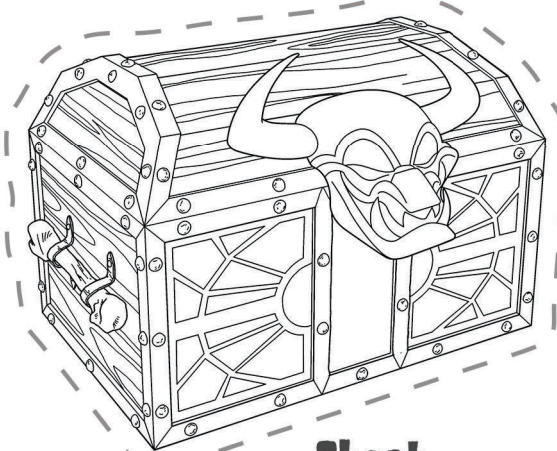
Scooby-Doo!



Shaggy



Vincent Van Ghoul



Chest

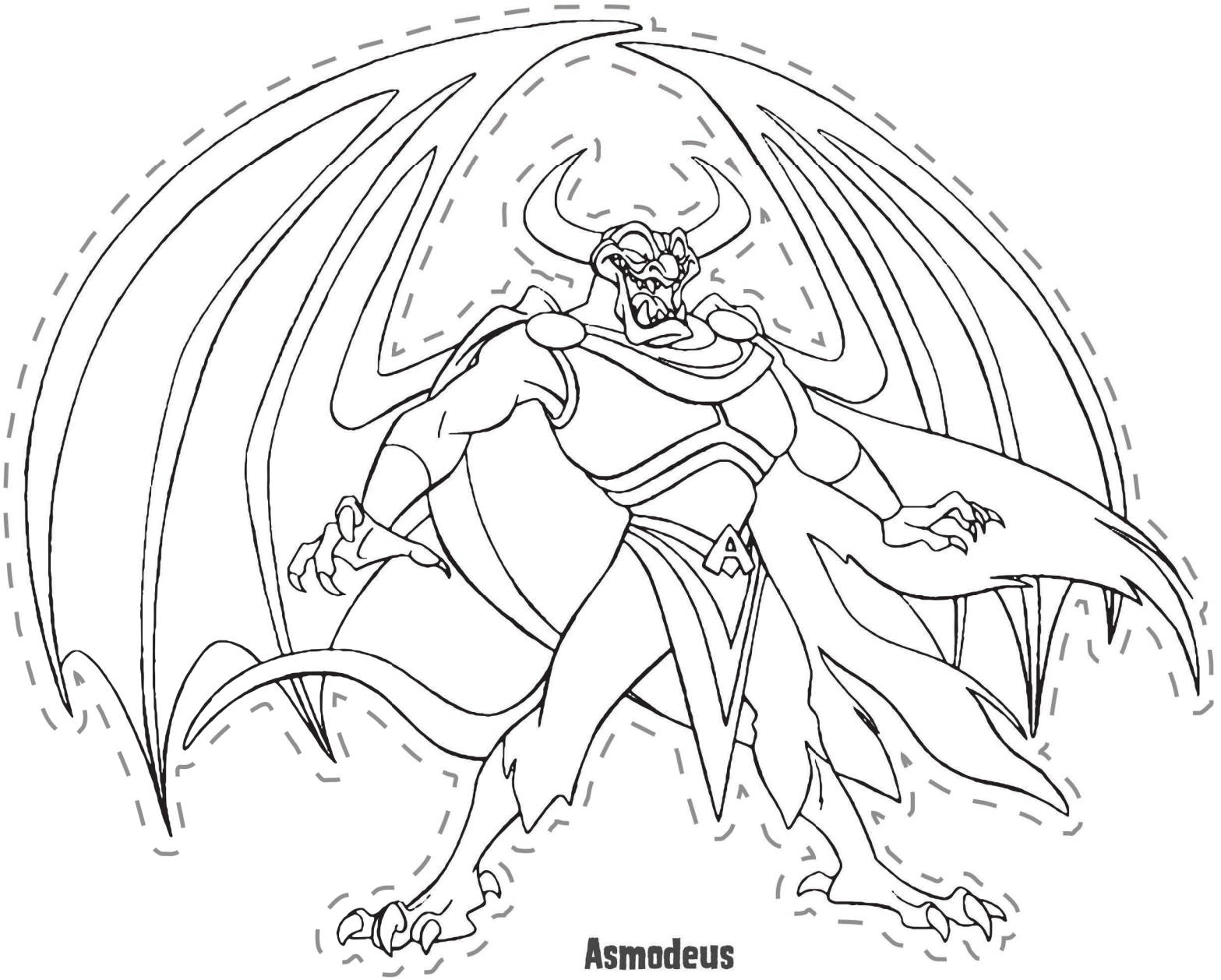
***SAFETY TIP: ASK AN ADULT
FOR HELP USING SCISSORS**



SCOOBY-DOO!

AND THE
CURSE OF THE 13TH GHOST

OWN IT ON
DVD & DIGITAL
FEBRUARY 5th
#Scooby13Ghosts



Asmodeus



Grave Stone

*SAFETY TIP: ASK AN ADULT
FOR HELP USING SCISSORS



SCOOBY-DOO!

AND THE
CURSE OF THE 13TH GHOST

OWN IT ON
DVD & DIGITAL
FEBRUARY 5th
#Scooby13Ghosts

